

ASSEMBLY INSTRUCTIONS & PARTS MANUAL

Wall Mounted Foreman's Desk Model: SR-59



RETAIN INSTRUCTIONS FOR FUTURE REFERENCE



GENERAL SAFETY INFORMATION

Some parts may have sharp edges. CARE must be taken when handling various pieces to avoid injury. For safety, wear a pair of work gloves when assembling or performing any maintenance on units.

LIMITED WARRANTY

Tennsco warrants goods purchased hereunder to be free of defects in materials and workmanship for a period of one (1) year from the date of shipment, hereunder. This warranty shall not apply in the event goods are damaged as a result of misuse, abuse, neglect, accident, improper application, modification or repair by persons not authorized by Seller, where goods are damaged during shipment, or where the date stamps on the goods have been defaced, modified or removed. UNLESS CONSIDERED UNENFORCEABLE OR UNLAWFUL UNDER APPLICABLE LAW:

- a. ALL IMPLIED WARRANTIES, INCLUDING BUT NOT LIMITED TO WARRANTIES OR MERCHANTABILITY AND FITNESS FOR A PARTICULAR PURPOSE ARE HEREBY EXCLUDED:
- b. BUYERS REMEDY, IF ANY, FOR ANY DEFECTIVE GOODS SHALL BE LIMITED TO A REFUND BY SELLER OR REPLACEMENT OF THE GOODS AT SELLER'S OPTION, AND SHALL IN NO EVENT INCLUDE DAMAGES OF ANY KIND, WHETHER INCIDENTAL, CONSEQUENTIAL OR OTHERWISE.

NO GOODS ACCEPTED FOR RETURN WITHOUT PRIOR APPROVAL. Seller shall have the right to inspect any goods claimed to be defective at Buyers place of business or require Buyer to return the goods to Seller for inspection on Seller's premises. Transportation charges covering returned goods will be borne by Seller only if such goods are proven to be defective, are covered by this warranty and are returned within the warranty period stated above.



PROUDLY MADE IN THE U.S.A.

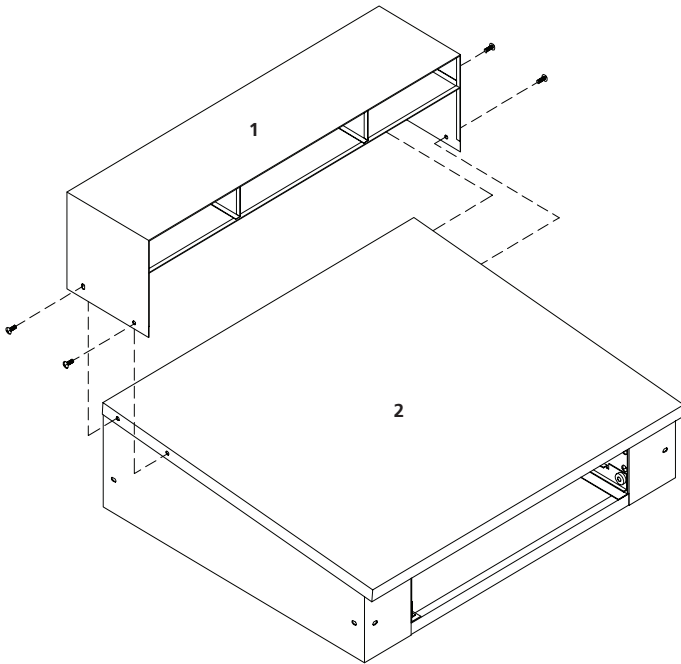
Tennsco LLC., Dickson, TN 37056-1888 • (866) 446-8686

ASSEMBLY OF AN WALL MOUNTED FOREMAN'S DESK

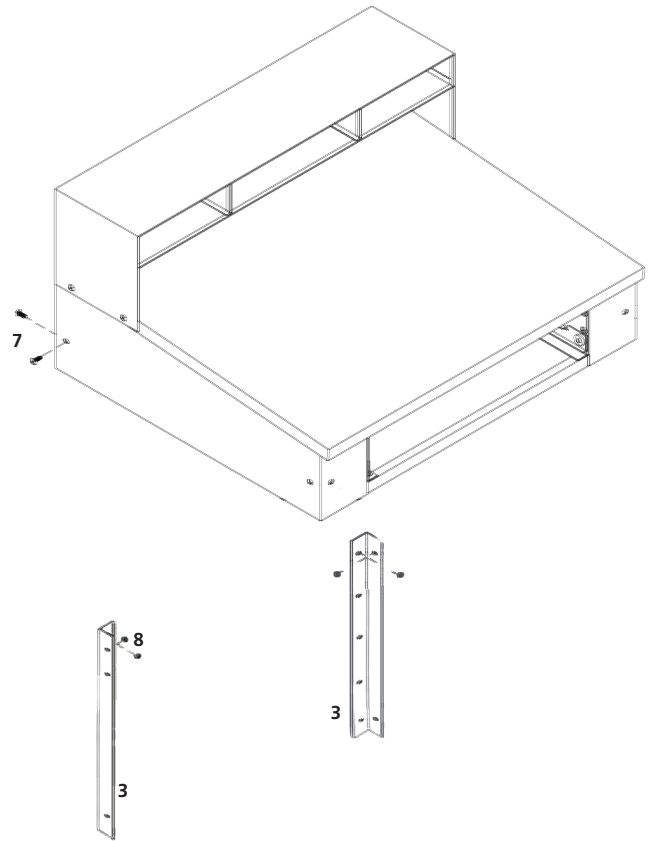
Two people are recommended for assembly. Approximate assembly time: 20-30 minutes.
Tools required: slotted screwdriver, Philips screwdriver, and $\frac{7}{16}$ " wrench or nut driver.

The reference numbers used throughout this sheet refer to the illustration on the back cover.
This is to help you to identify the various parts as they are mentioned.

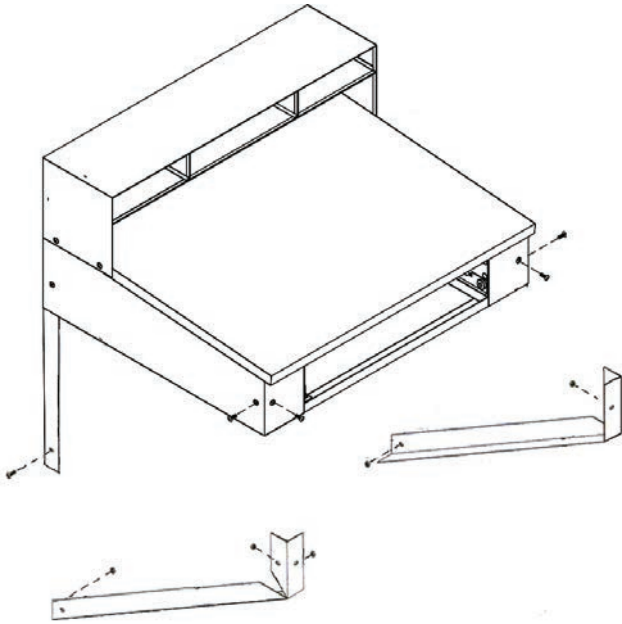
- 1.** First, remove all parts from carton and check against the parts list on back cover for any missing parts. The drawer has been placed inside the desktop for packaging purposes. While it is not necessary to remove the drawer to assemble the unit you may wish to do so for easier access.
Next, attach the desk riser (Ref. No. 1) to the back of the desktop assembly (Ref. No. 2) using four of the bolts and nuts (Ref. Nos 7 & 8) supplied. If you have left the drawer inside the desk top, slide the drawer partially forward for easier access to the back holes.



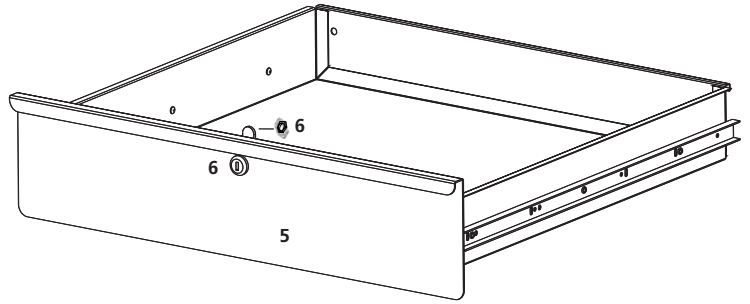
- 2.** Attach the two rear legs (Ref. No. 3) to the desktop assembly using four bolts and nuts per leg.



3. Attach the front angled legs (Ref. No. 4) to the front of the unit, using four nuts and bolts on each leg. Next, attach the front legs to the rear legs, using a nut and bolt on each side.

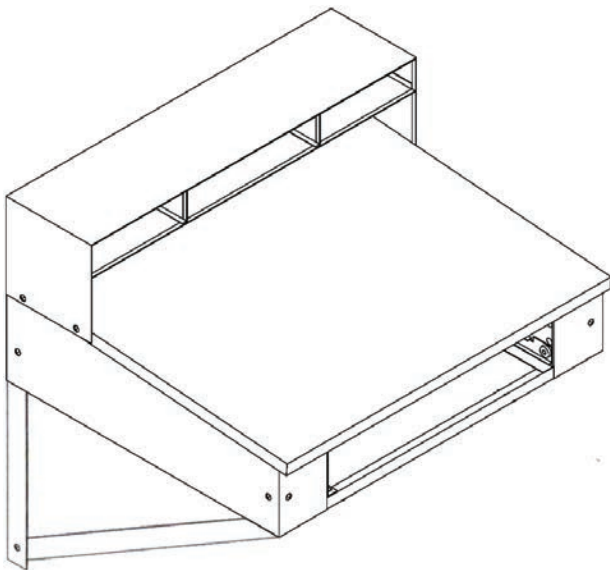


5. Insert the drawer lock (Ref. No. 6) into the drawer front (Ref. No. 5), then attach with the accompanying hex nut.

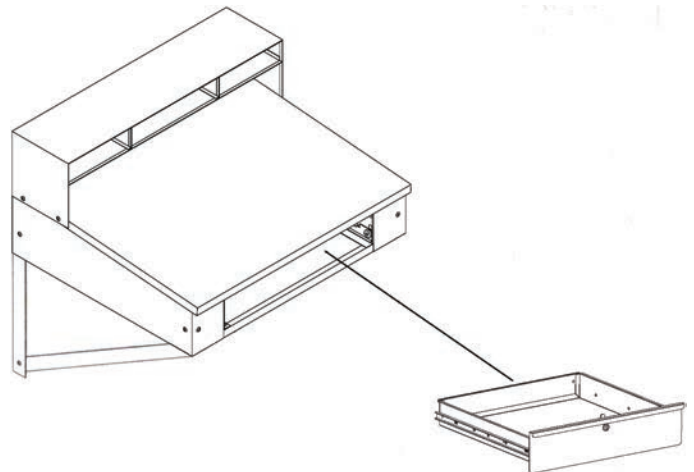


4. Mount unit to the wall using the holes in the back flange of the rear legs. Make sure all the bolts and nuts are tightened securely before mounting to the wall.

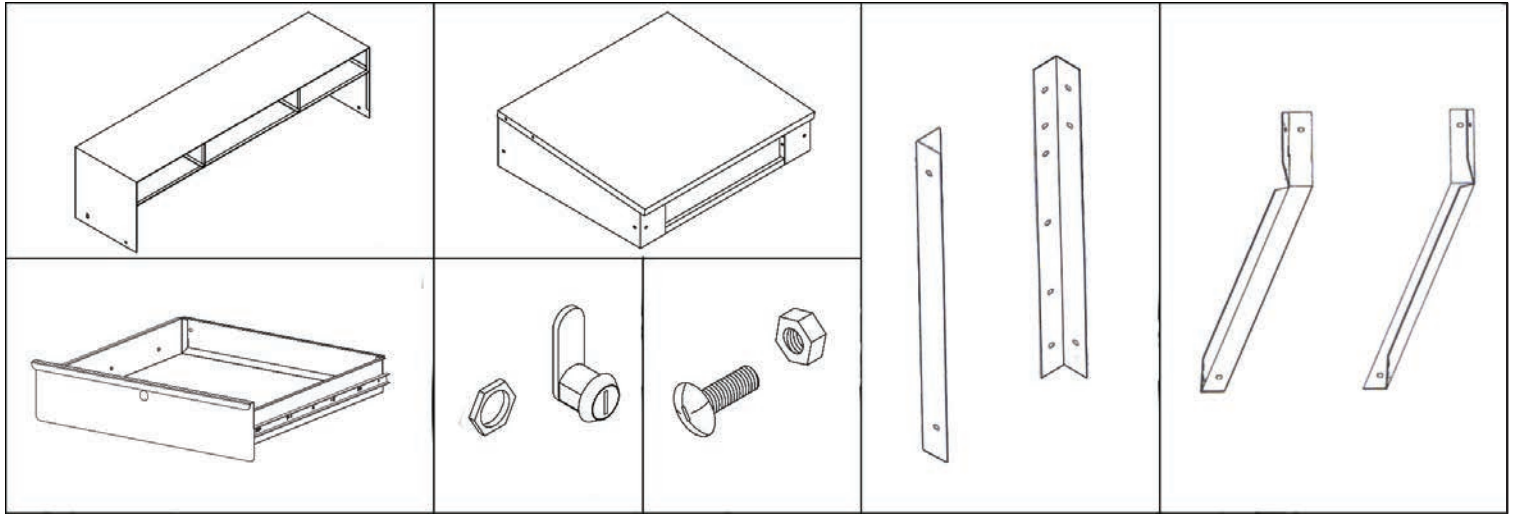
NOTE: Hardware for mounting the unit to the wall are not supplied because of the variety of possible wall materials. Be sure to use hardware appropriate for your wall situation.



6. Insert drawer into desktop. The unit is now ready to use.



REPLACEMENT PARTS



REF. NO.	DESCRIPTION	QTY.	PART NO.
1	Desk Riser	1	SR-12R
2	Desktop Assembly	1	SR-13T
3	Front Angled Legs	2	SR-59FL
4	Rear Legs	2	SR-59RL
5	Drawer	1	SR-28D
6	Drawer Lock w/Hex Nut	1	CL-1
7	1/4" -20 x 5/8" Slotted Screws	13	**
8	1/4" -20 Hex Nuts	13	**

** Available Locally

NOTE: Additional hardware may be included for replacement purposes.

Basic Construction

- Legs 13 Gauge Steel
- Riser 20 Gauge Steel
- Wrapper 20 Gauge Steel
- Drawer Body 20 Gauge Steel
- Drawer Front 16 Gauge Steel

Tennsco makes every effort to ensure that all units ship complete with all parts and arrive undamaged. However, should your unit contain missing or damaged parts, please contact your purchase location.